

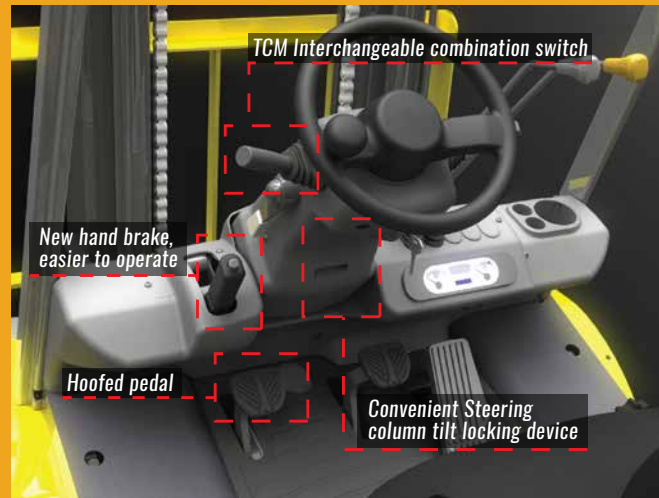
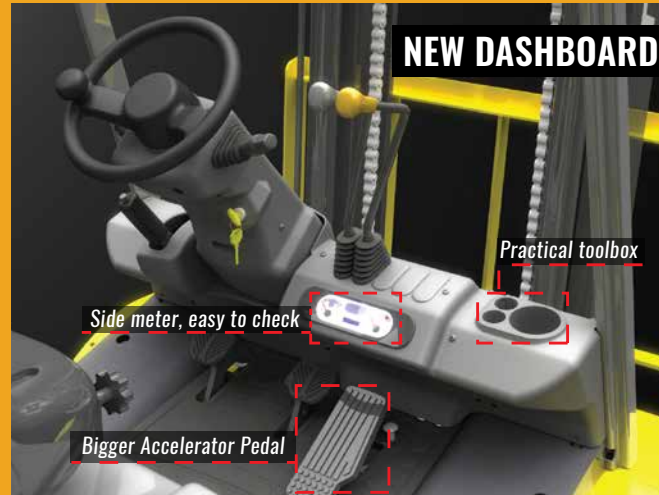
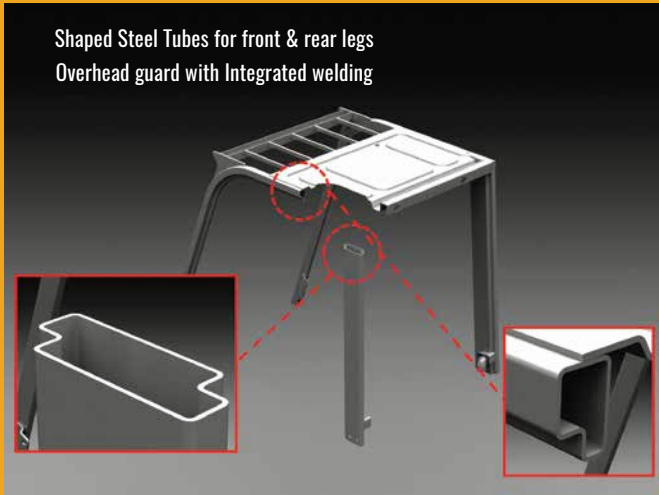
NEW H-SERIES 2-4 TON

SAMUK

5000 hours
OR 5 year
WARRANTY



RELIABLE POWERFUL FUEL EFFICIENT



With the known successes of SAMUK's traditional product concepts like superb performance, built quality, low fuel consumption and reliability, we hereby present the new H-series SAMUK.

Offering that tough as nails ruggedness with operator and maintenance friendly features. The newly debuted H-series has easier access, greater comfort, improved manoeuvrability and features you would expect from any top class brand like – fuel efficiency, reliable drive trains and the latest forklift design trends. This is the best machine from China ... we have checked them all.

“SAMUK PRODUCT SUPPORT” gives you peace of mind with a 5000 hrs or 5 year warranty; guaranteed 40% buy-back; low cost of ownership and 30 years expected model support.

Diesel LP Gas

2,0 TON	2,5 TON	3,0 TON	3,5 TON	4,0 TON
---------	---------	---------	---------	---------





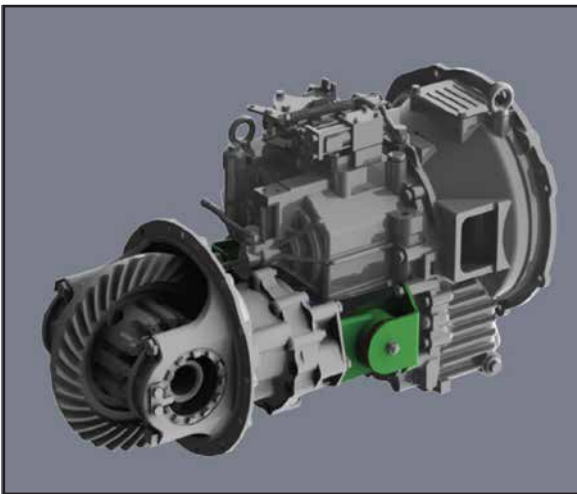
Various Engine Options

NISSAN K21(LPG) with EPA-certified, 37kw@2700rpm, complies with North American EPA emission standard. As well as ISUZU, MITSUBISHI and CHIN XAI.



Expansive floor space for easier foot maneuvering

An amazing 45% increase in floor space by placing tilt cylinders under the floor. This gives a smooth footwell in addition to easy entry and exit.



Full-floating drive train system for reduced vibration

Substantially reduced vibration by adopting a full-floating system for both the engine and transmission. This minimizes the transfer of vibration to the operator, with four-point rubber cushion absorbers between the engine and transmission.

[For 3 ton and 3,5 ton motors only]



One Piece Floor plate

Gives more convenient inspection and easier maintenance, as the one-piece floorboard unit is easily detachable without using any tools.

Detachable side covers for convenient inspection and general maintenance

One-touch detachable side covers allows for a wide-opening hood to easily perform inspections and maintenance in the engine bay.



Three-stage mast with four-cylinder mechanism

The cylinders are symmetrically located to the left and right for improved forward visibility and better load distribution on the carriage which causes less side thrust on the mast.



Multifunctional suspension seat

Features include reinforced driver support, reduced vibration, operator weight balance adjusting, forward and backward reclining, a rear utility pocket, and seat belt.



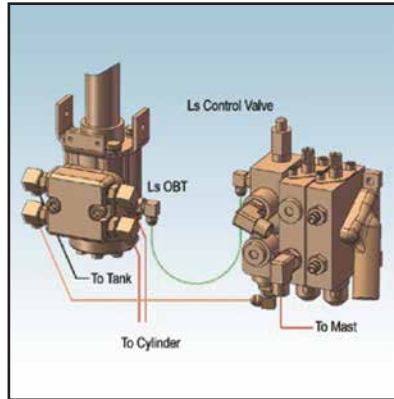
Pre-cleaner for engine air intake (option)



Rear grab handle with horn switch



Rear working light (option)



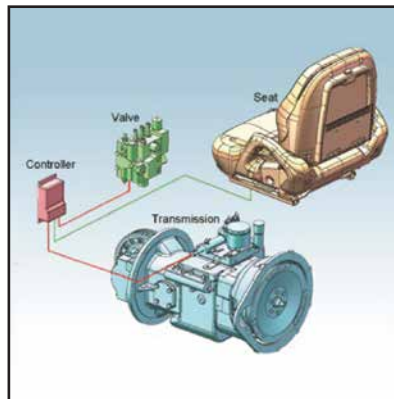
Effective hydraulic system



LPG exclusive or Dual fuel



Rear Camera (option)



Operator Presence System (option)



LED lights



Front dual tires (option)

Forkliftworld are truly your complete forklift solution – with many years experience, we are highly equipped for forklift repairs and all forklift related products in Cape Town and the Western Cape. With our trade-marked brand SAMUK, we are able to supply all your material handling equipment and services. Forkliftworld are direct importers of materials handling equipment like SAMUK Forklifts; SAMUK Warehousing Equipment; Black Hawk Solid Forklift Tyres and Forklift Parts. Our workshop have extensive experience working on Toyota, Nissan, Mitsubishi, TCM, Hyster, Doosan, Hyundai, and Komatsu forklifts. It also have a large break-down service department which is known for quick break-down response. With a fully equipped in-house engineering and welding department for all forklift related engineering, Forkliftworld are able to repair, rebuild and refurbish your forklift quickly and very cost effectively. Hand in hand with these services, we have an extensive range of rental equipment for short, medium and long term forklift rentals. At Forkliftworld you can be assured to receive friendly and prompt customer services from our super staff.



Tel: 021 931 0431 | sales@forkliftworld.co.za
103 Prinsloo Street, Beaconvale Parow, 7500
PO Box 6154, Parow East, 7501

*For more information,
visit our website:
www.forkliftworld.co.za*

DIMENSIONS

Model	FD/FG20	FD/FG25	FD/FG30	FD/FG35	FD/FG40
	mm	mm	mm	mm	mm
1 Overall height fork raised(with backrest)	4030	4030	4250	4250	4250
2 Max. lifting height	3000	3000	3000	3000	3000
3 Mast height(fork lowered)	1995	1995	2075	2075	2150
4 Backrest height	1010	1010	1220	1220	1220
5 Free lift	160	160	150	150	150
6 Fork thickness	40	40	45	50	50
7 Ground clearance at lowest point(mast)	110	110	120	120	120
8 Overall length(with fork)	3530	3600	3775	3830	3940
9 Overall length(without fork)	2460	2530	2705	2760	2870
10 Fork length	1070	1070	1070	1070	1070
11 Fork front face to front axle	450	450	480	485	485
12 Wheel base	1600	1600	1700	1700	1800
13 Rear overhang	410	480	525	575	585
14 Traction pin center height	560	560	580	580	585
15 Height to head guard(from seat)	1040	1040	1040	1040	1040
16 Height of head guard	2120	2120	2140	2140	2140
17 Total width	1150	1150	1225	1285	1365
18 Fork spread(outside)	245 - 1020	245 - 1020	250 - 1090	250 - 1190	250 - 1190
19 Front track	970	970	1000	1060	1120
20 Rear track	970	970	970	970	970
21 Fork width	122	122	125	125	150
22 Turning radius(inside)	160	160	200	200	200
23 Turning radius(outside)	2170	2240	2445	2495	2530
24 Right angle turning aisle	1920	2010	2155	2205	2450
25 Tilt angle (mast forward/back ward)	6° - 12°	6° - 12°	6° - 12°	6° - 12°	6° - 12°

